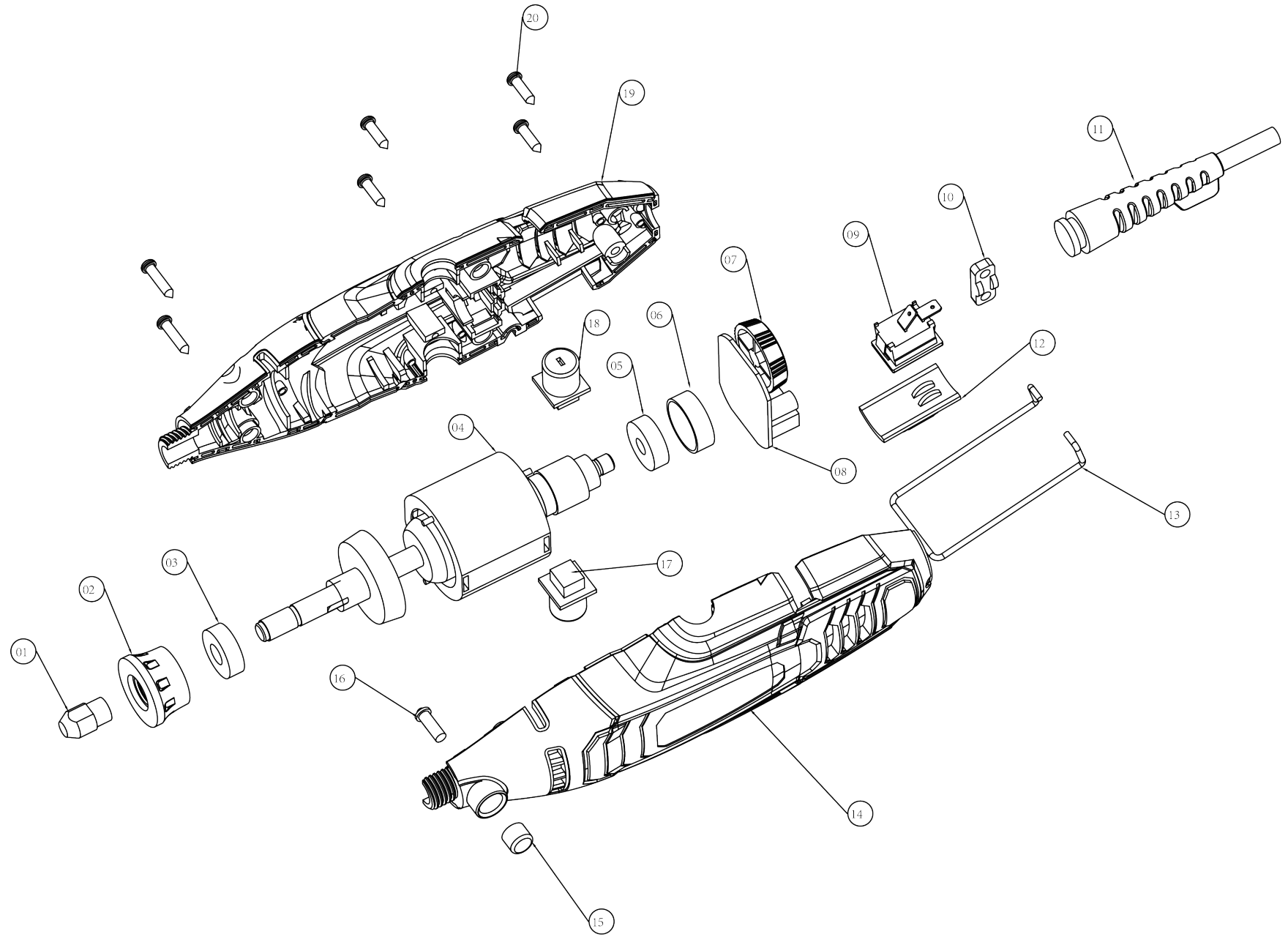


404112



	description	popis	qty/ks	order No. / obj. číslo dílu	set order No. / obj. číslo sady
1	Collet Nut				
2	Nose Cap				
3	Bearing				
4	Armature Assembly				
5	Bearing				
6	Rubber Bearing Sleeve				
7	Electronic Assembly				
8	PCB Assembly				
9	Switch				
10	Anchorage Board				
11	Cord				
12	Switch Lever				
13	Suspension loop				
14	Left Housing Set				
15	Button				
16	Shaft lock Assembly				
17	Brush&Spring				
18	Brush Cap Assembly				
19	Right Housing Set				
20	Screw				